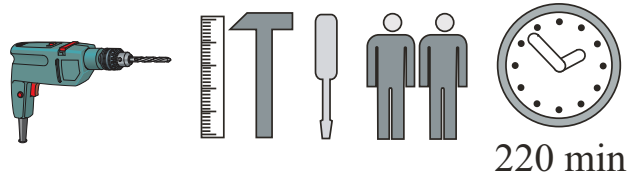
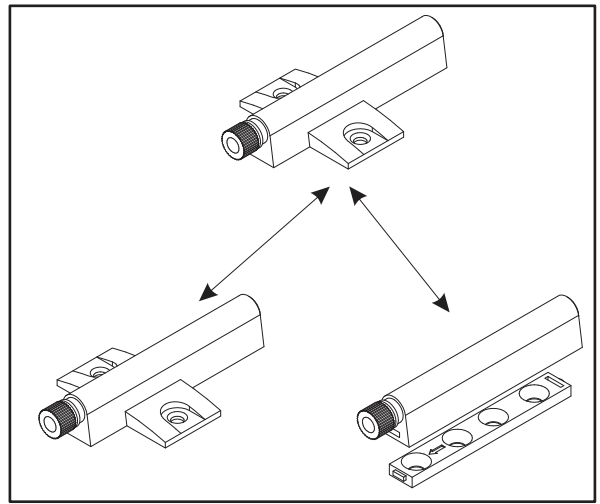
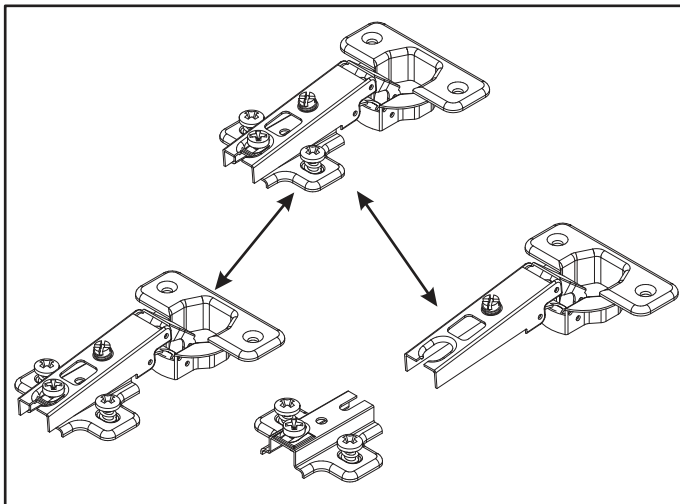
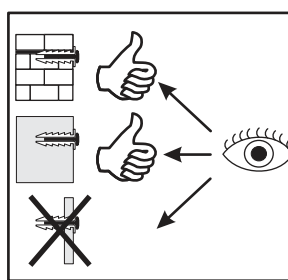
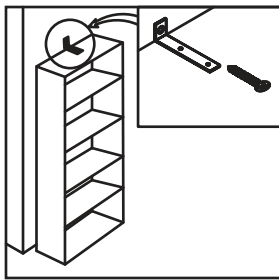
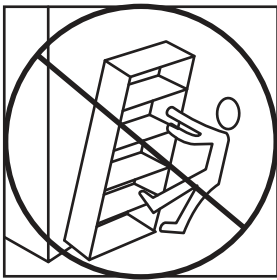
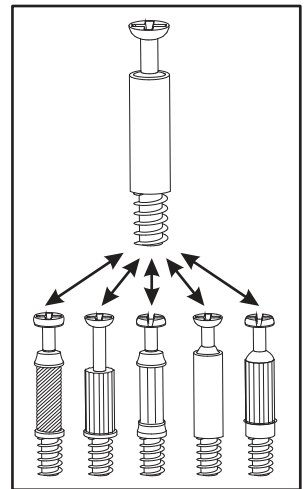
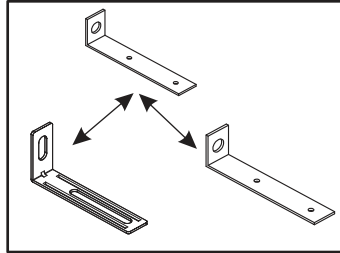
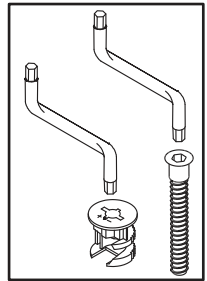
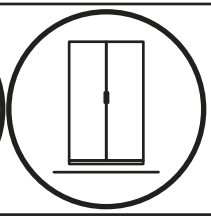
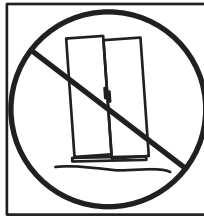
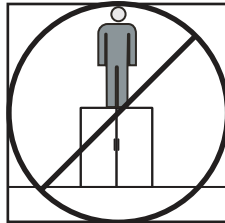
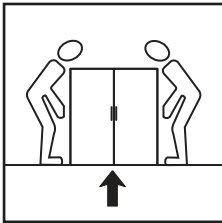
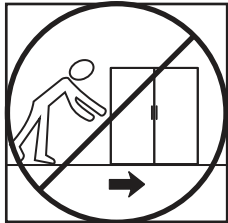
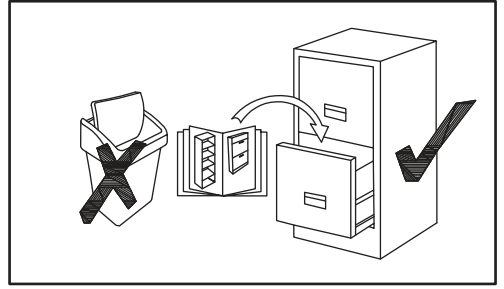
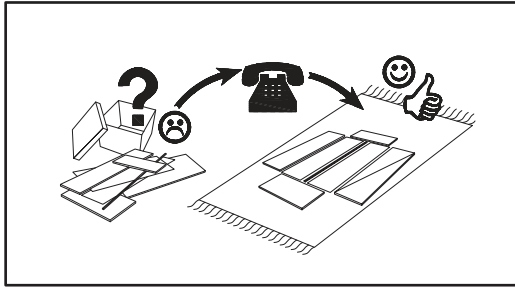
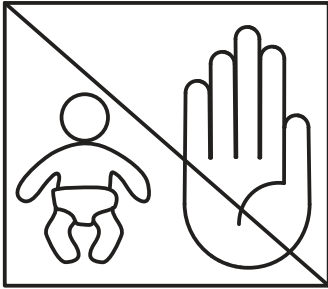
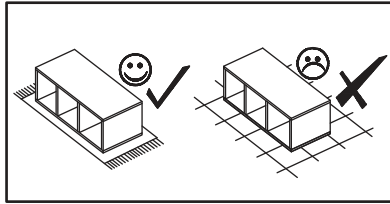
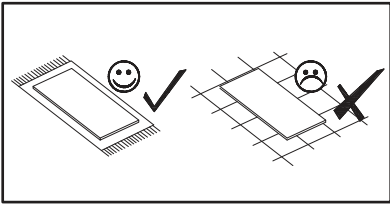
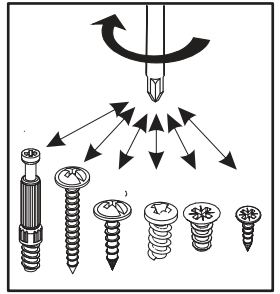
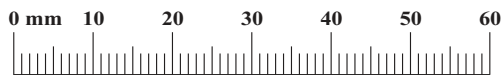
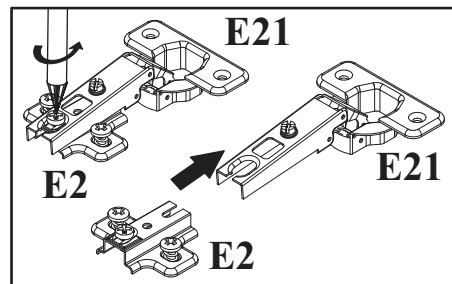
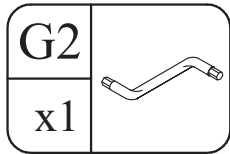
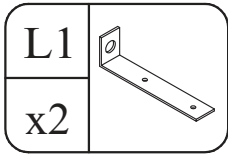
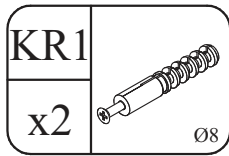
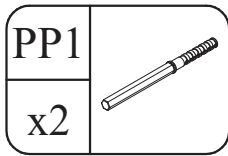
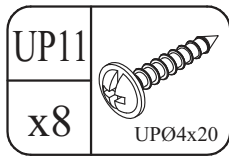
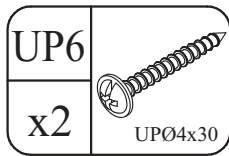
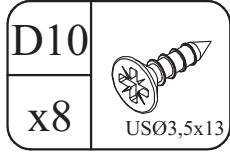
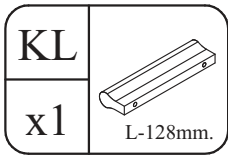
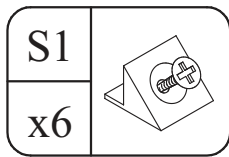
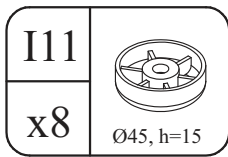
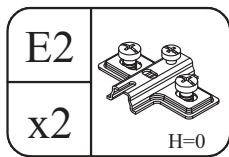
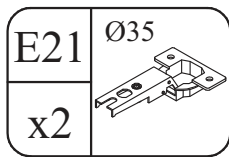
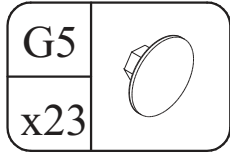
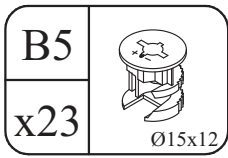
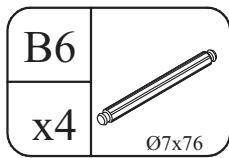
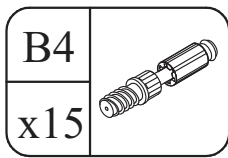
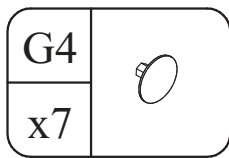
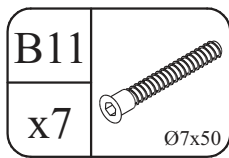
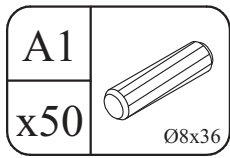


NO	Dim (mm)			Col.-No	Qty
1	254	334	16	1/1	1
2	254	334	16	1/1	1
3	1900	334	16	1/1	1
4	1900	334	16	1/1	1
5	254	334	16	1/1	1
6	496	280	16	1/1	1
7	480	266	3	1/1	1
8	254	200	16	1/1	1
9	1500	200	16	1/1	1
10	500	334	16	1/1	2
11	1400	334	16	1/1	1
12	288	200	16	1/1	3
13	302	200	16	1/1	1
14	317	200	16	1/1	1
15	1382	60	16	1/1	1

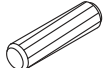


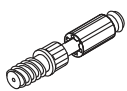
220 min

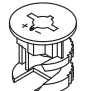


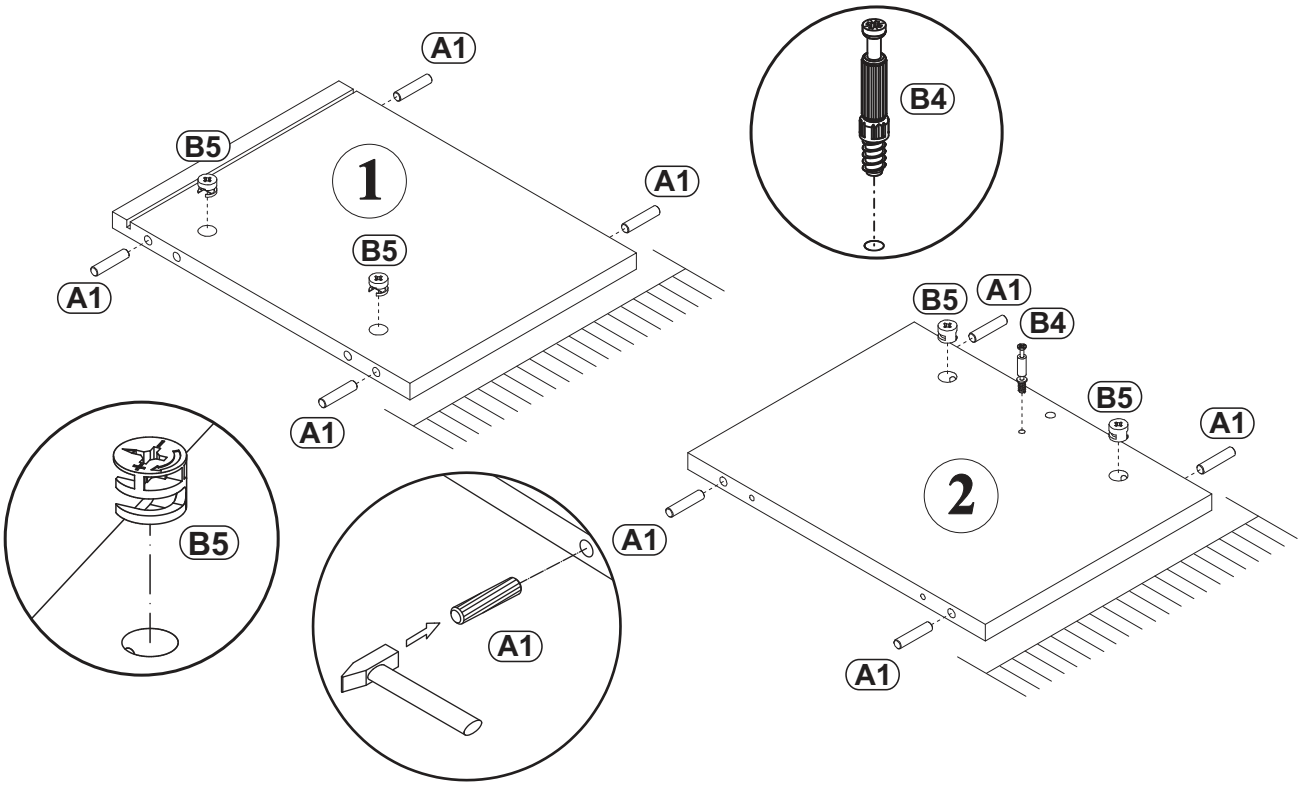


1

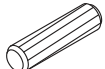
A1	
x8	∅8x36

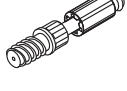
B4	
x1	


B5	
x4	∅15x12

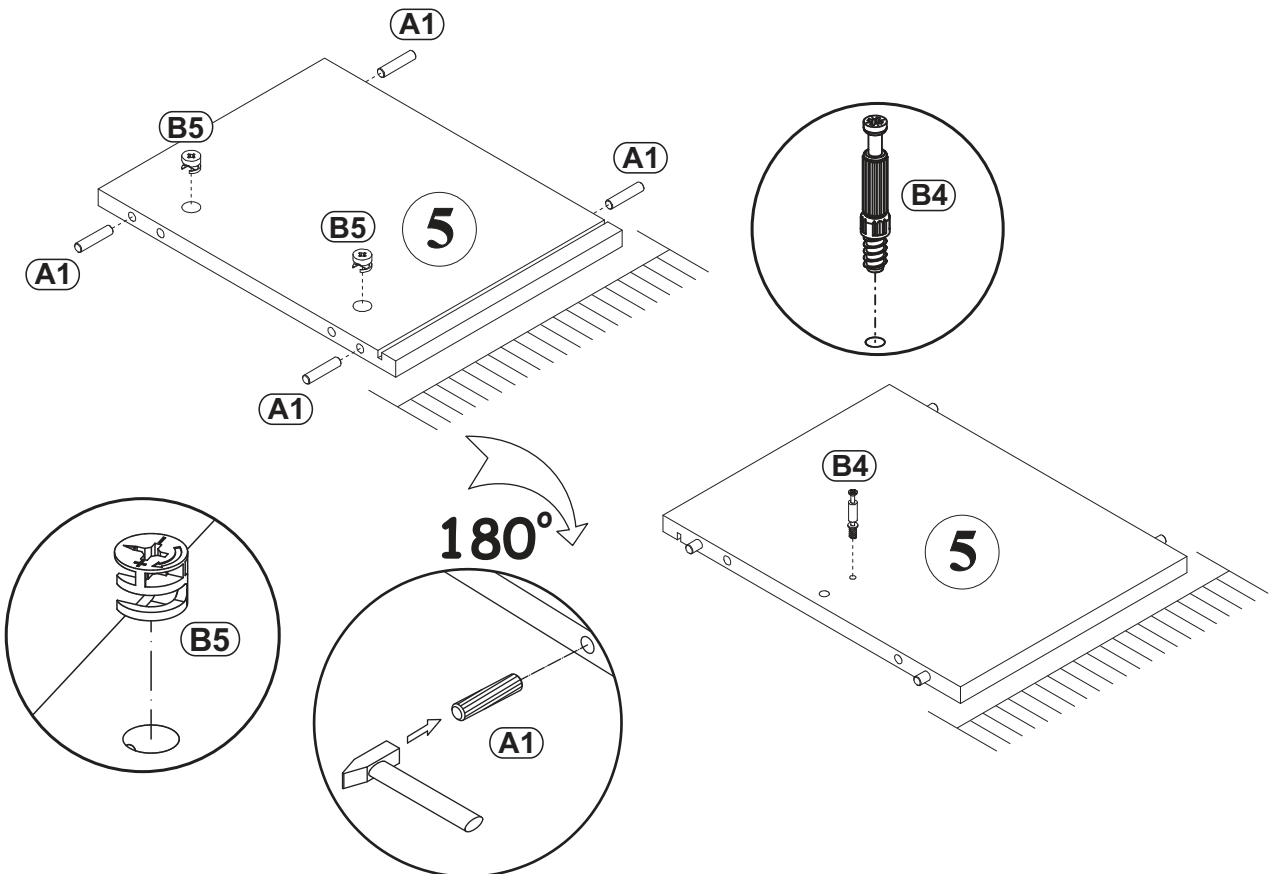


2

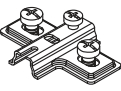
A1	
x4	∅8x36

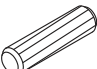
B4	
x1	


B5	
x2	∅15x12

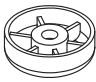



3

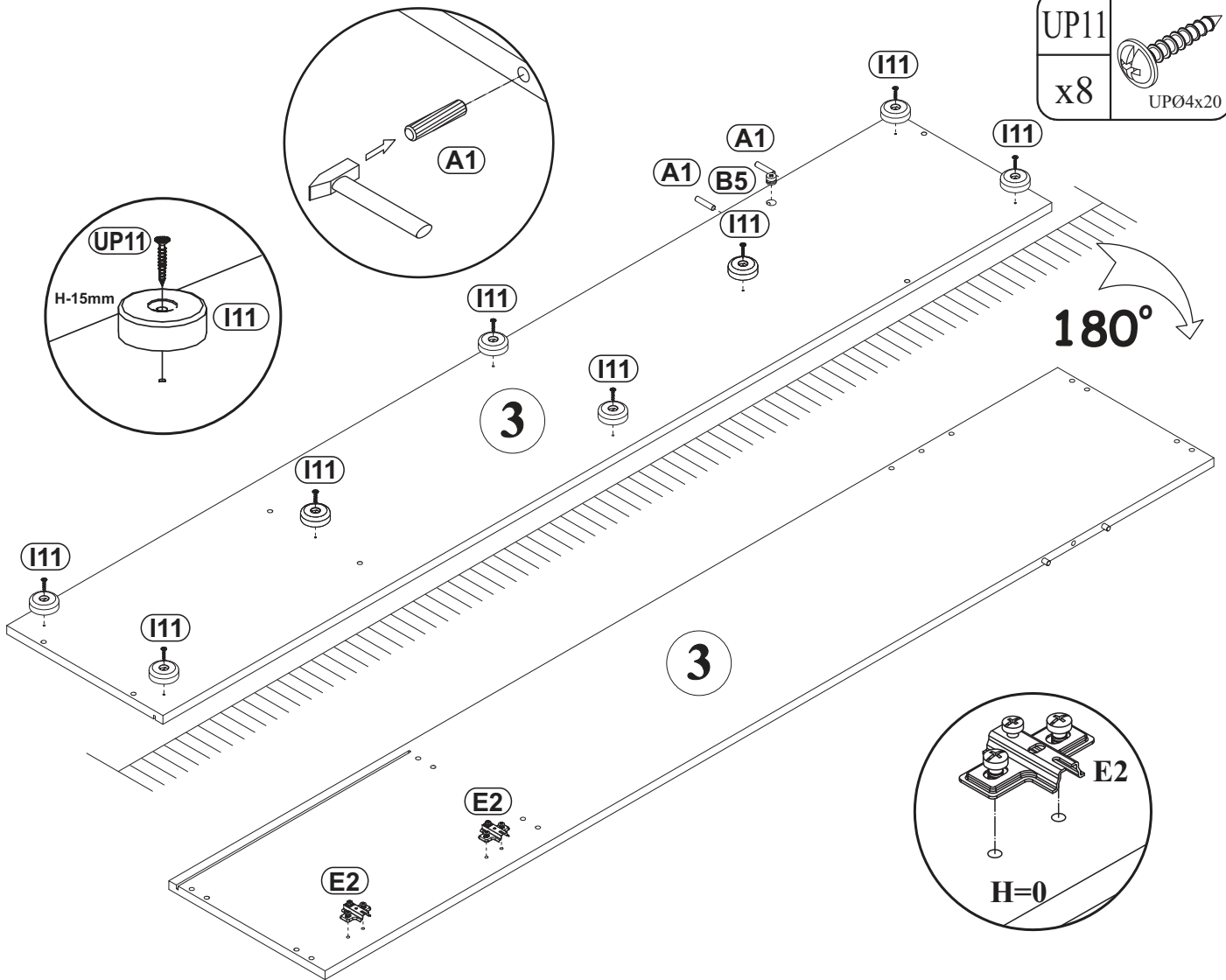
E2	
x2	H=0

A1	
x2	ø8x36

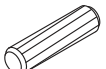
B5	
x1	Ø15x12

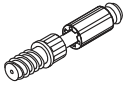
I11	
x8	Ø45, h=15


UP11	
x8	UPØ4x20

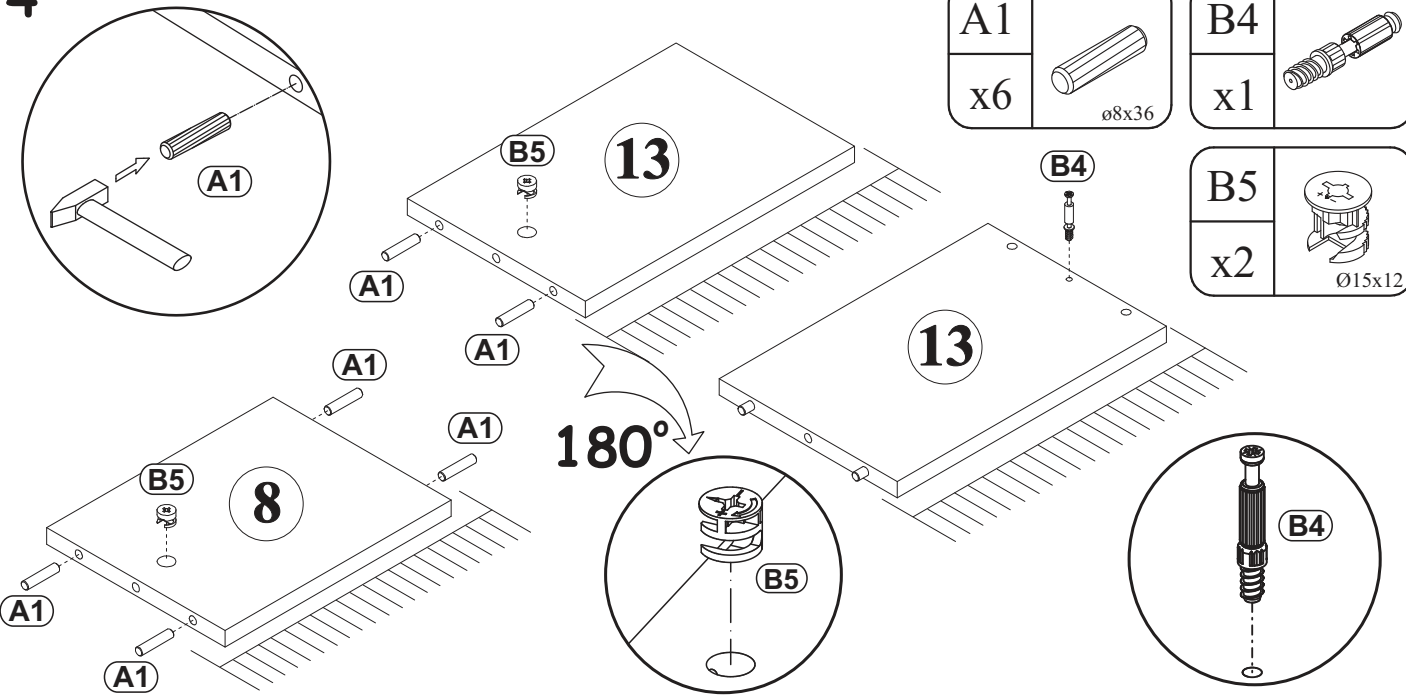


4

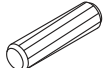
A1	
x6	ø8x36

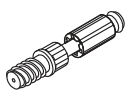
B4	
x1	

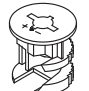
B5	
x2	Ø15x12

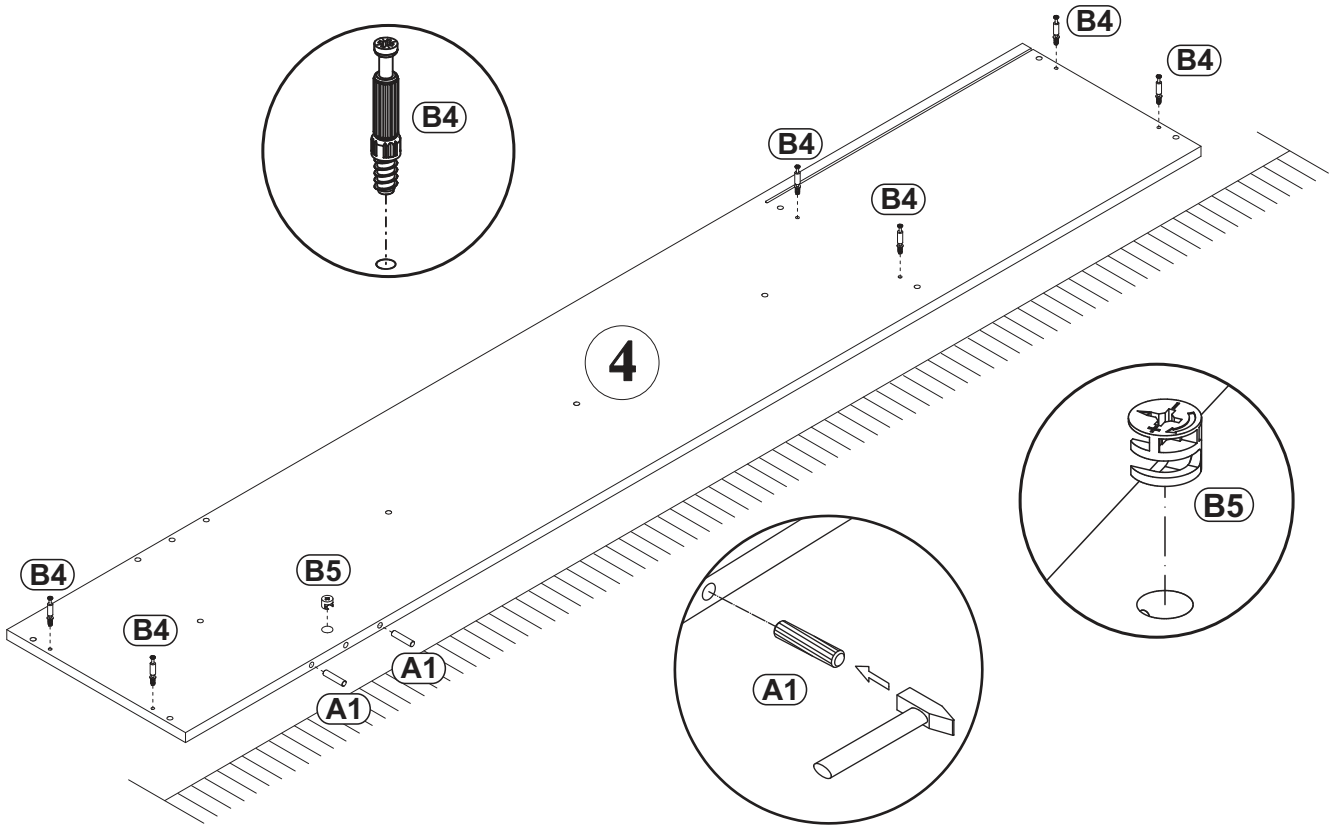


5

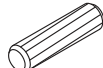
A1	
x2	∅8x36


B4	
x6	

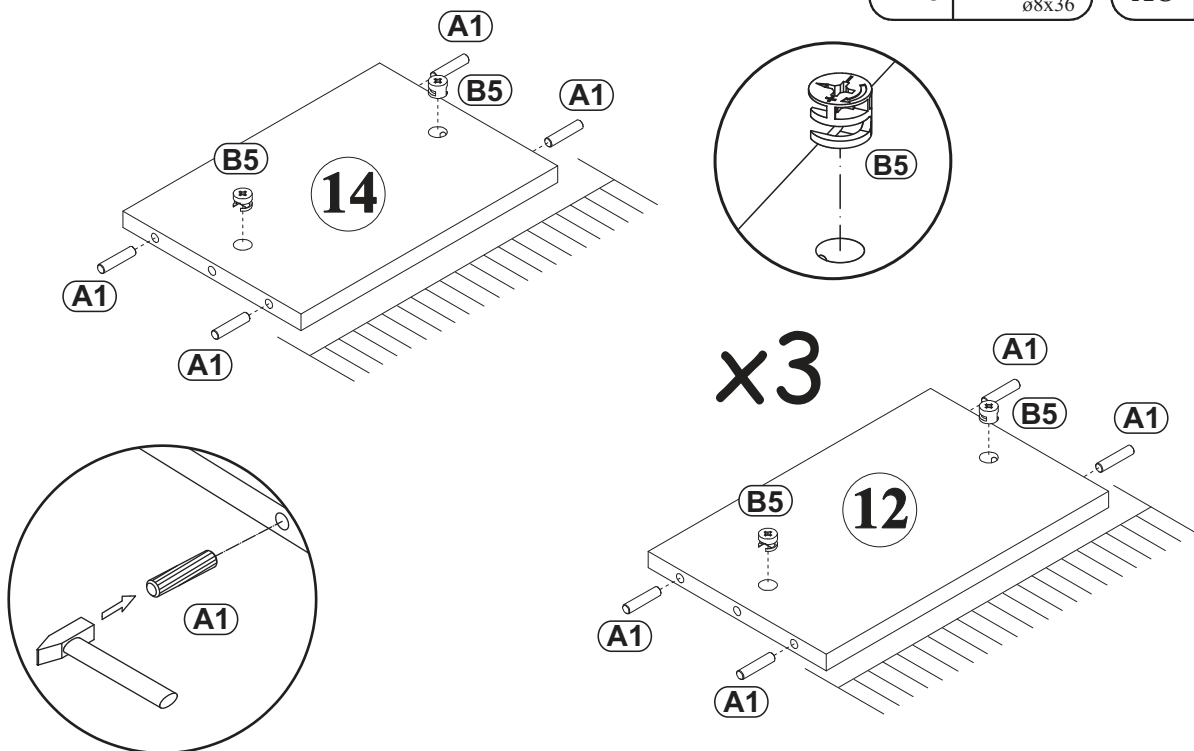
B5	
x1	∅15x12



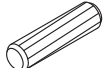
6

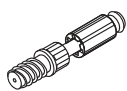
A1	
x16	∅8x36

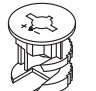
B5	
x8	∅15x12

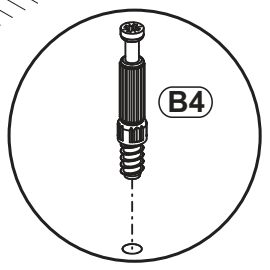
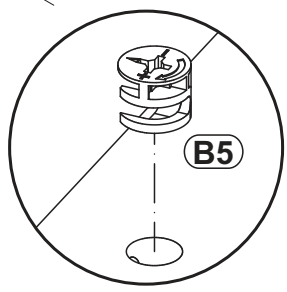
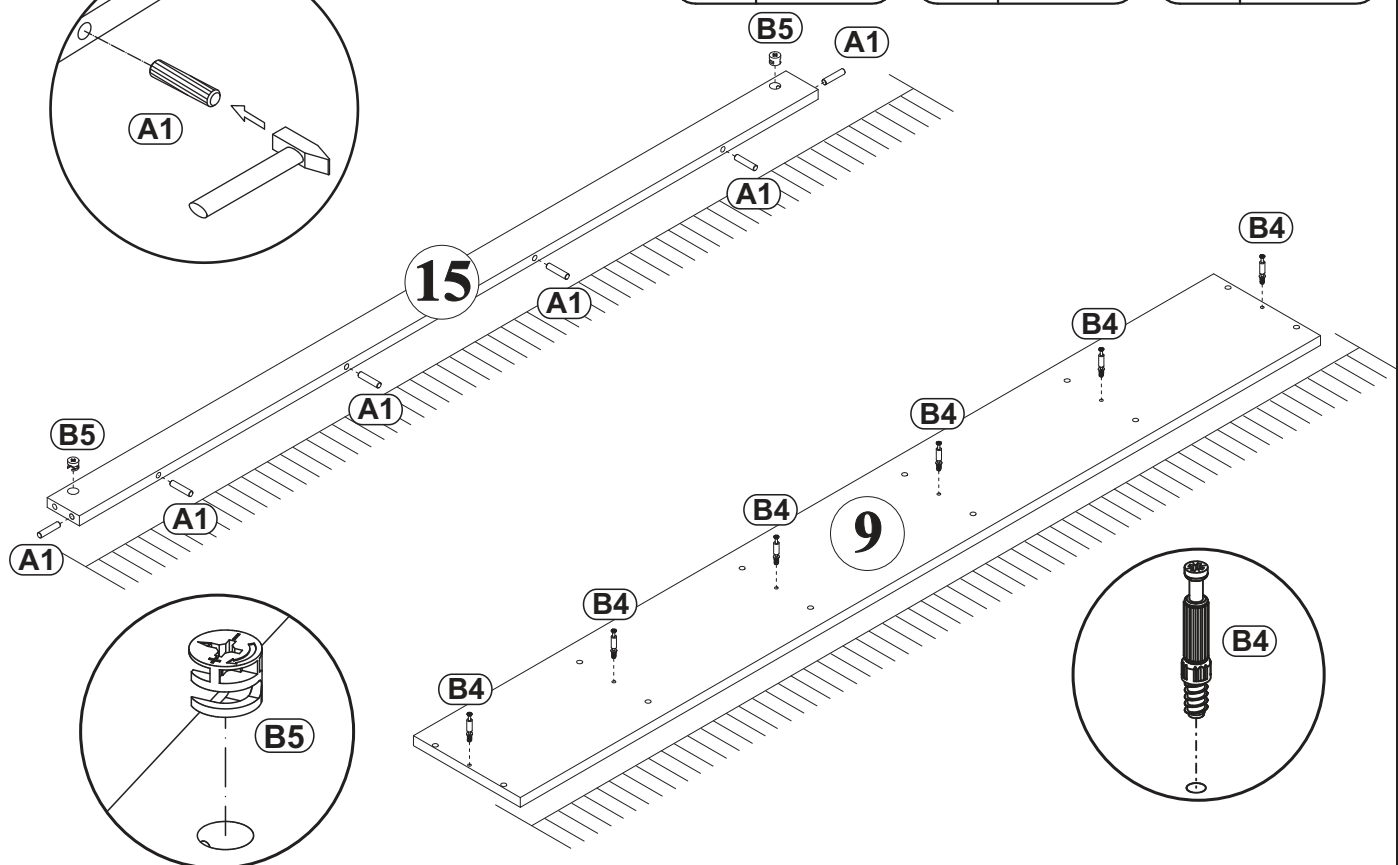
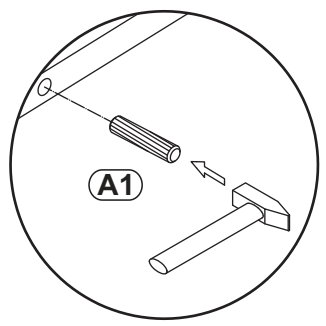


7

A1	
x6	∅8x36


B4	
x6	

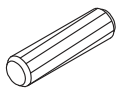
B5	
x2	∅15x12

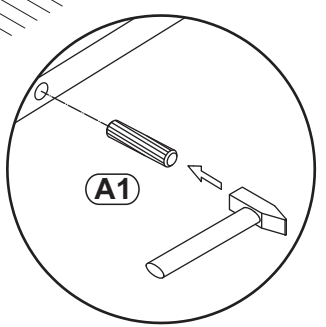
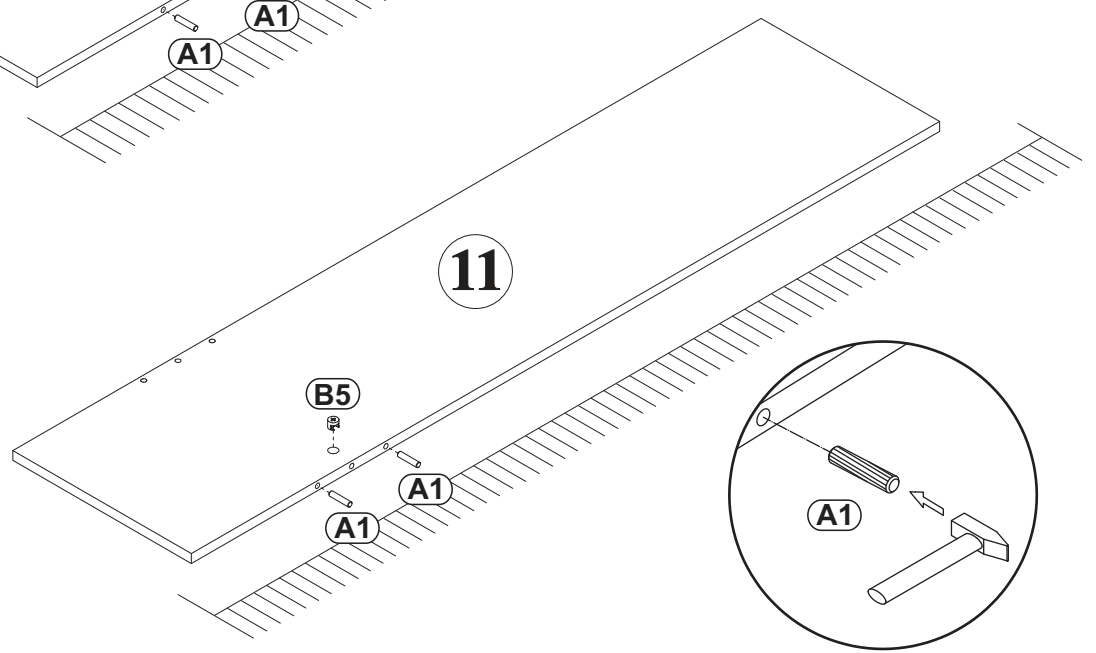
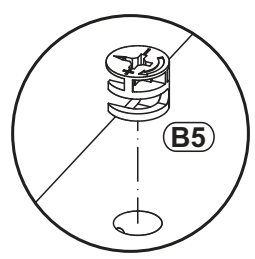
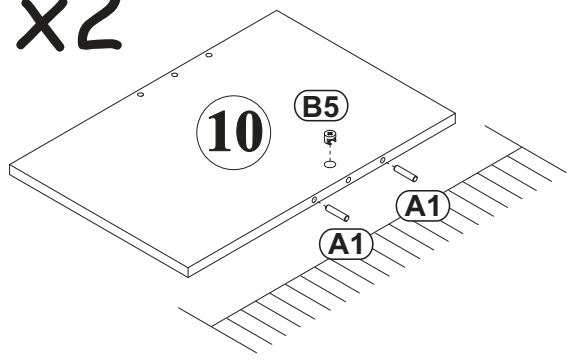


8

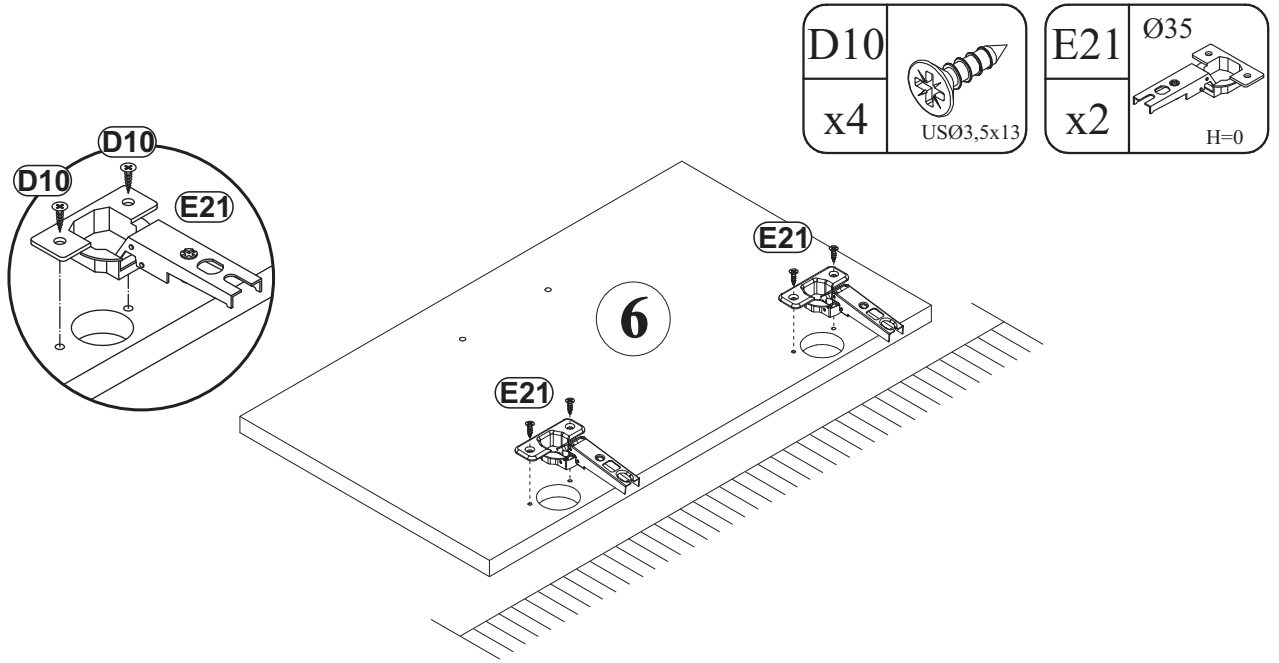
x2

B5	
x3	∅15x12

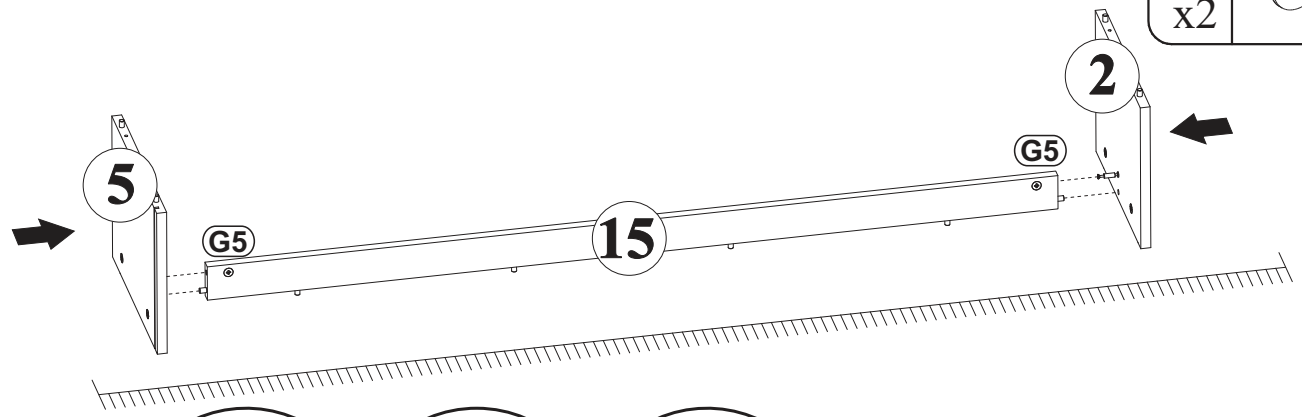
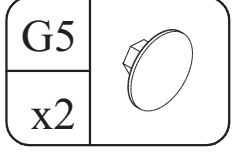
A1	
x6	∅8x36



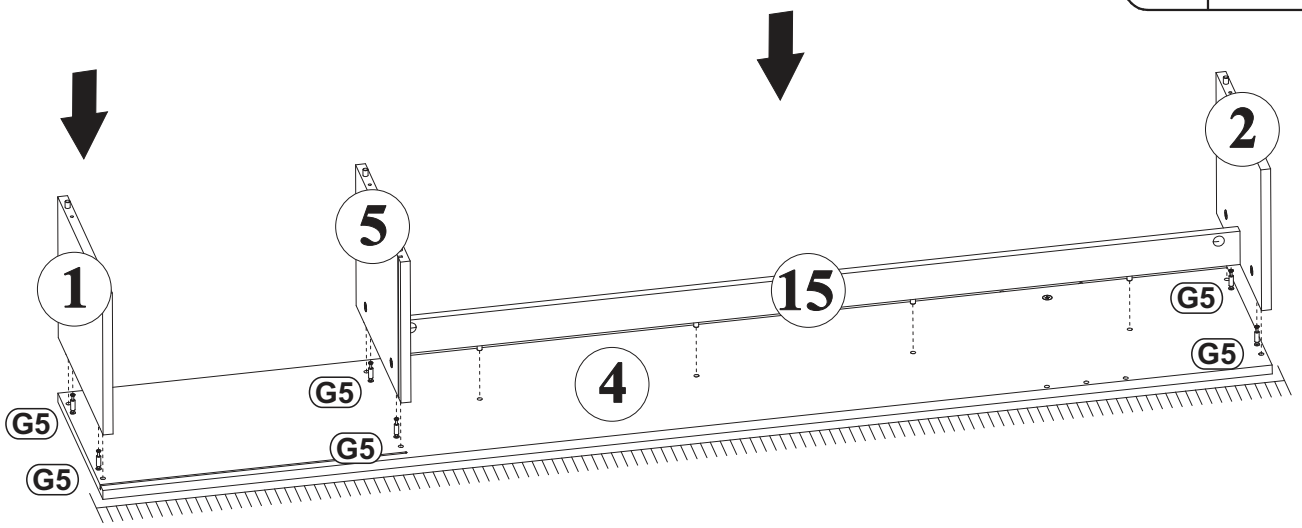
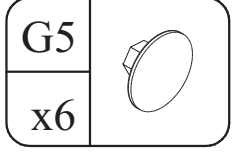
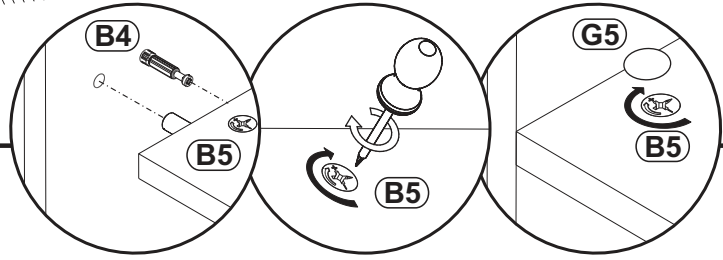
9



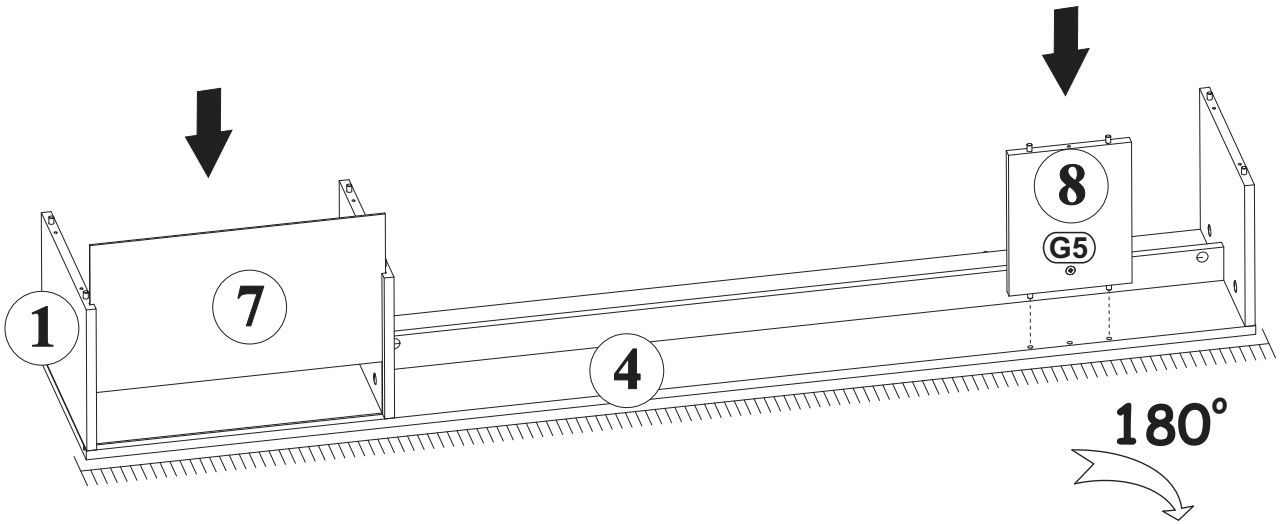
10



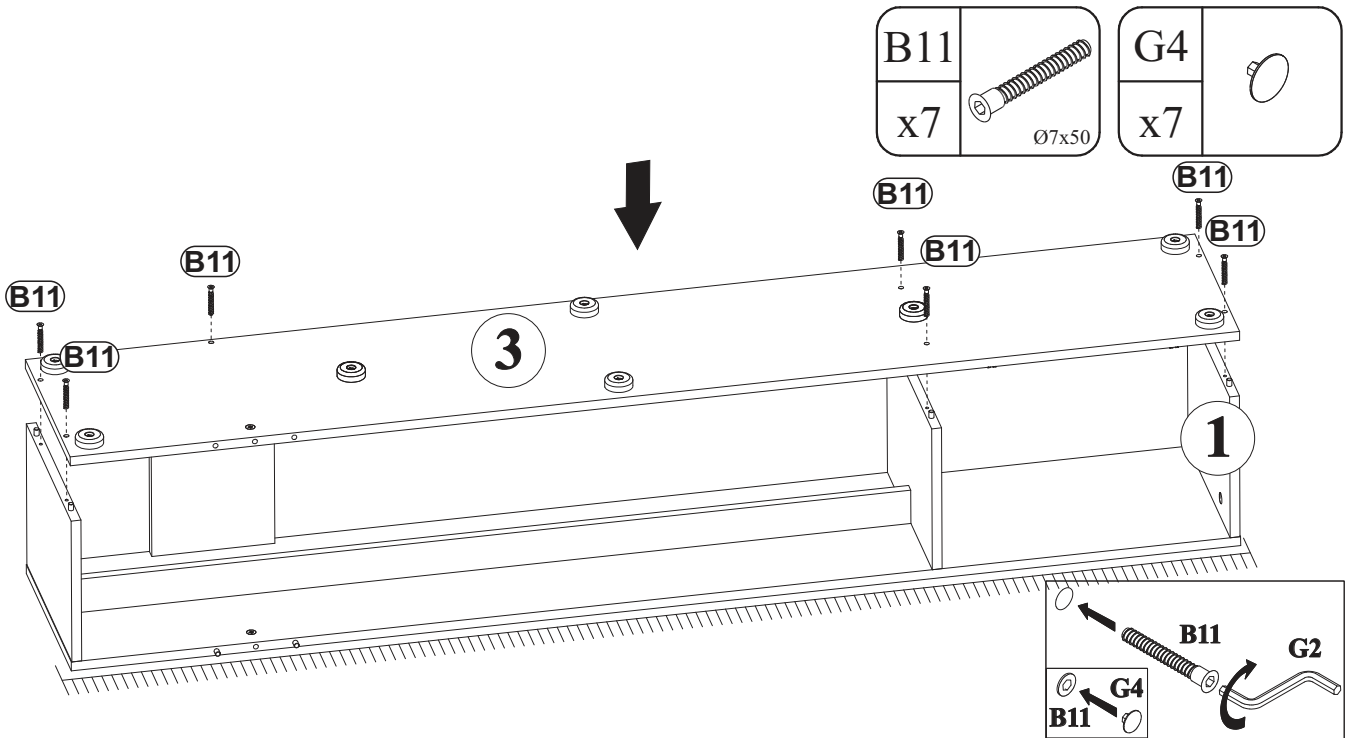
11



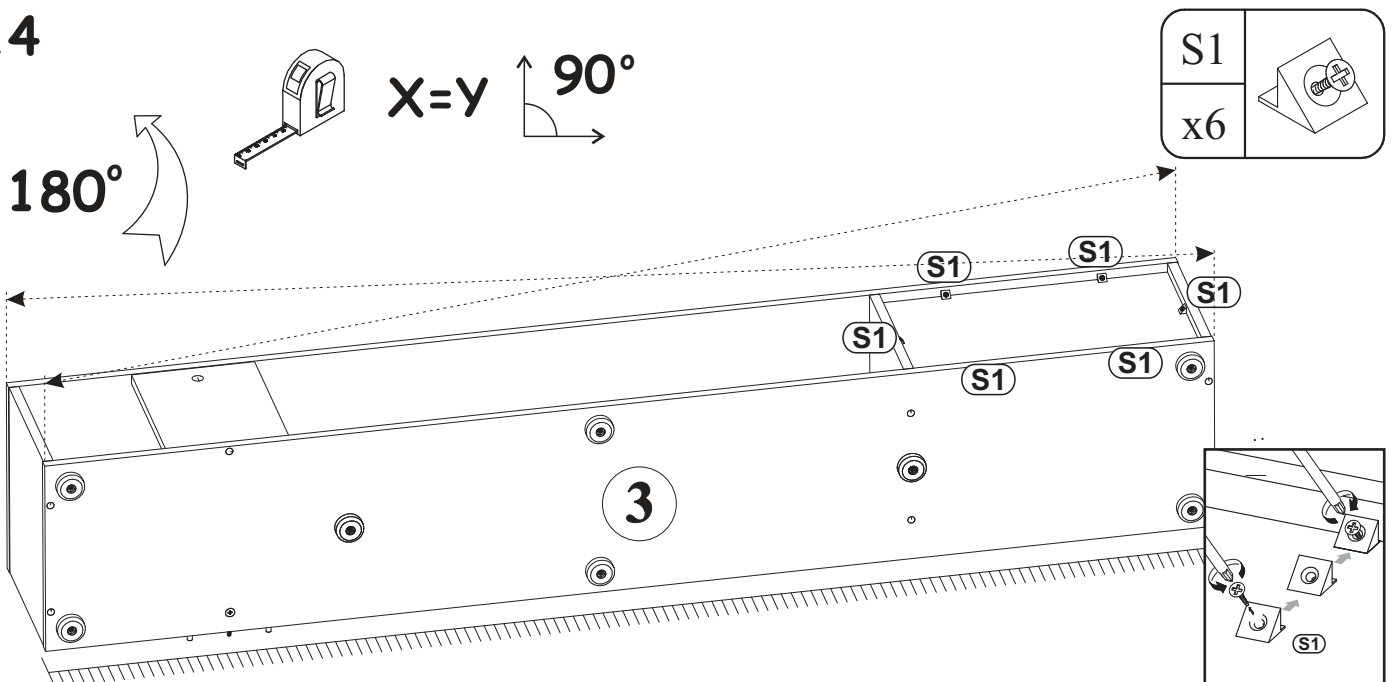
12




13




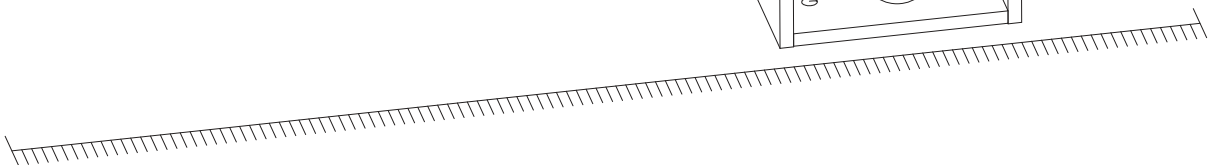
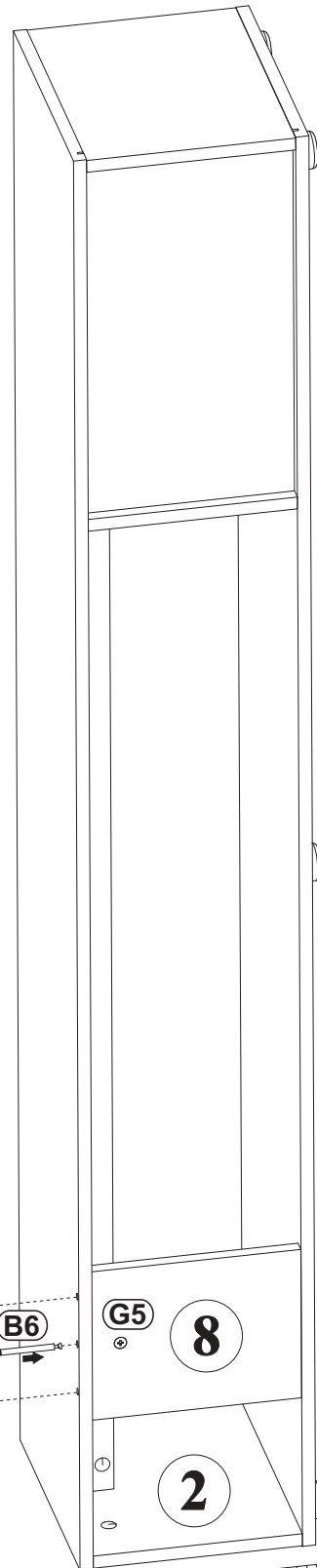
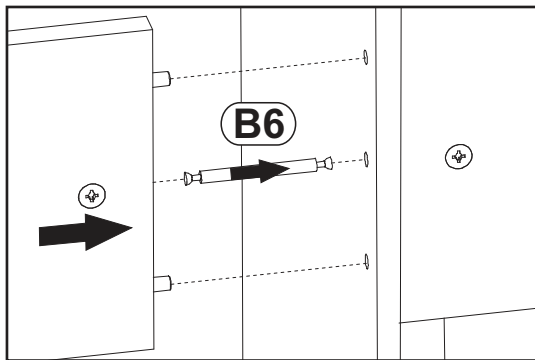
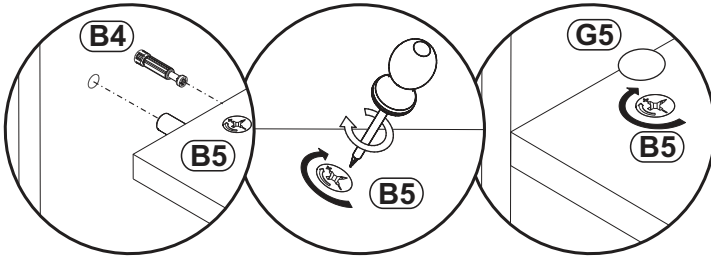
14




15


G5	
x2	

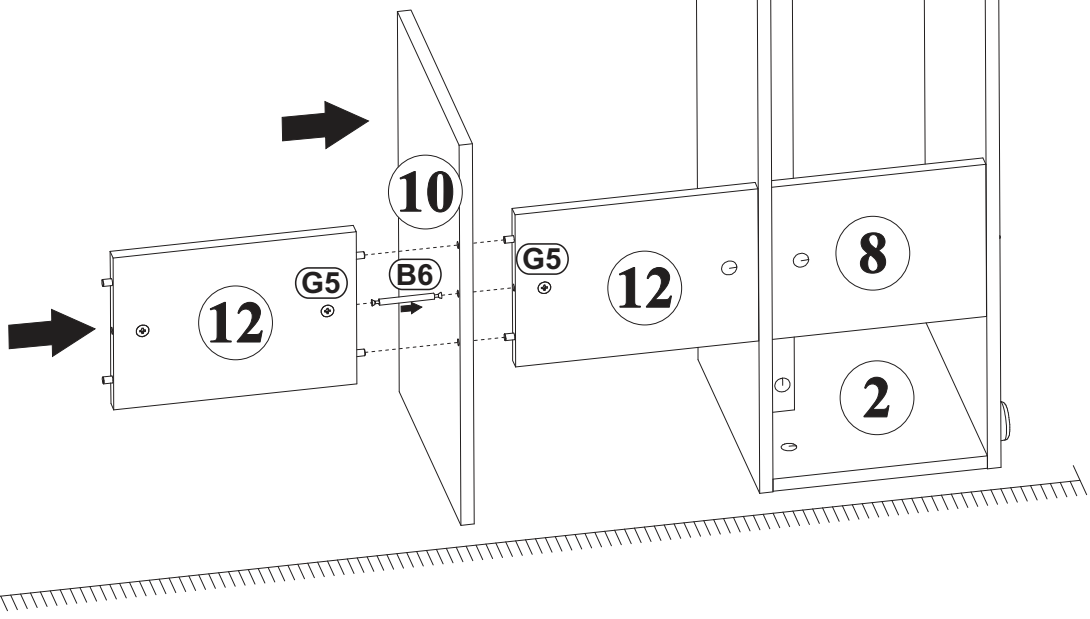
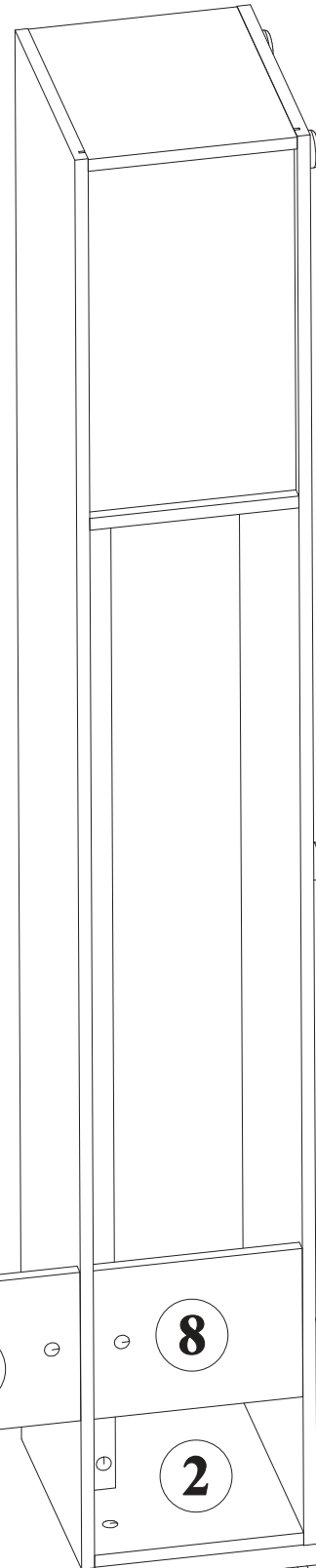
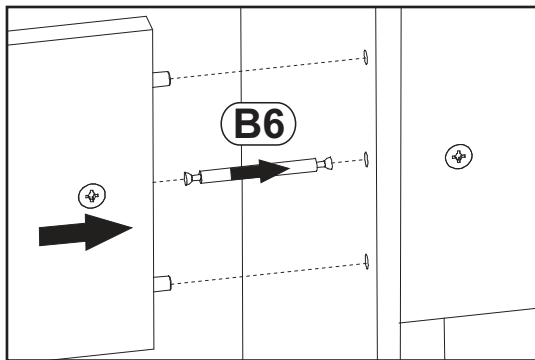
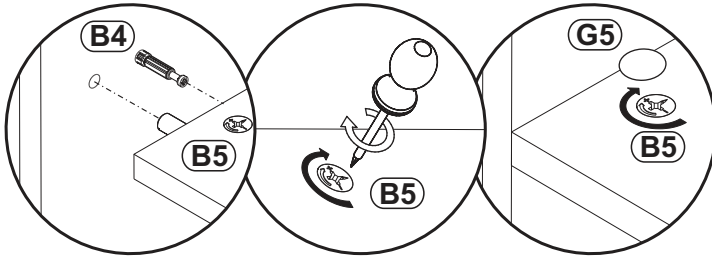
B6	
x1	Ø7x76



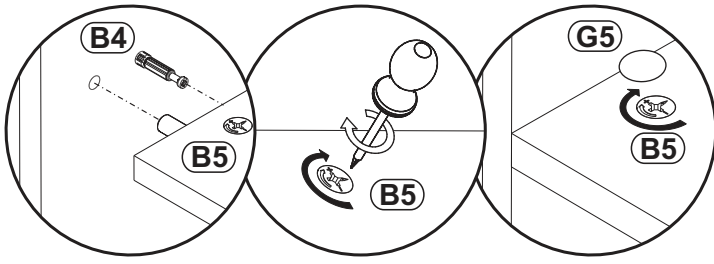
16


G5	
x2	


B6	
x1	Ø7x76

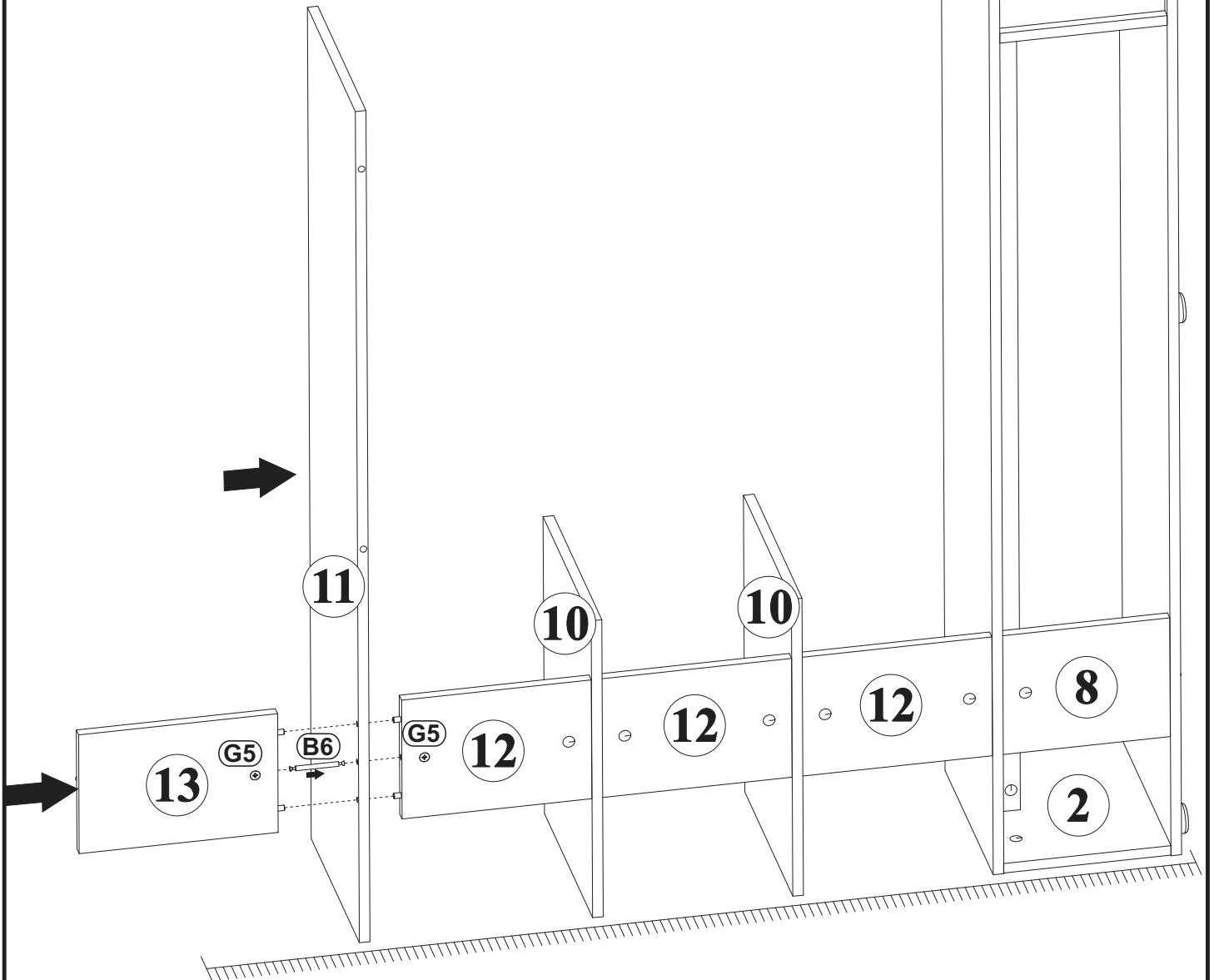
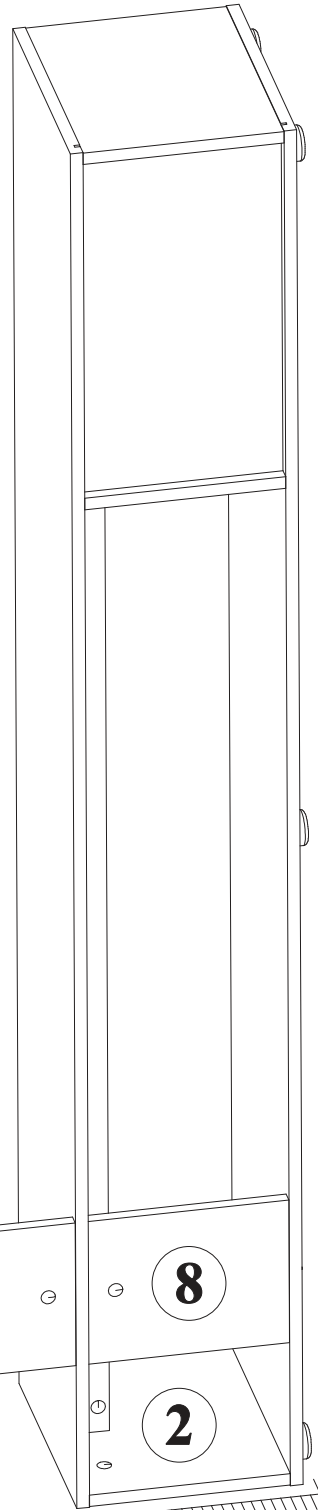
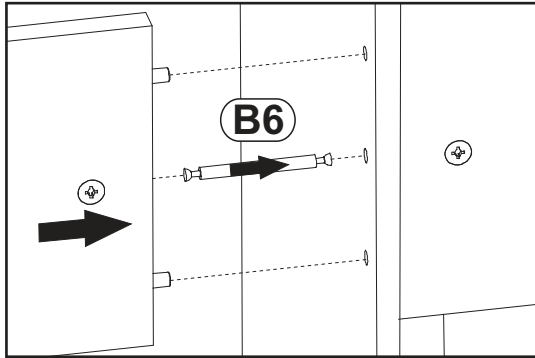


18




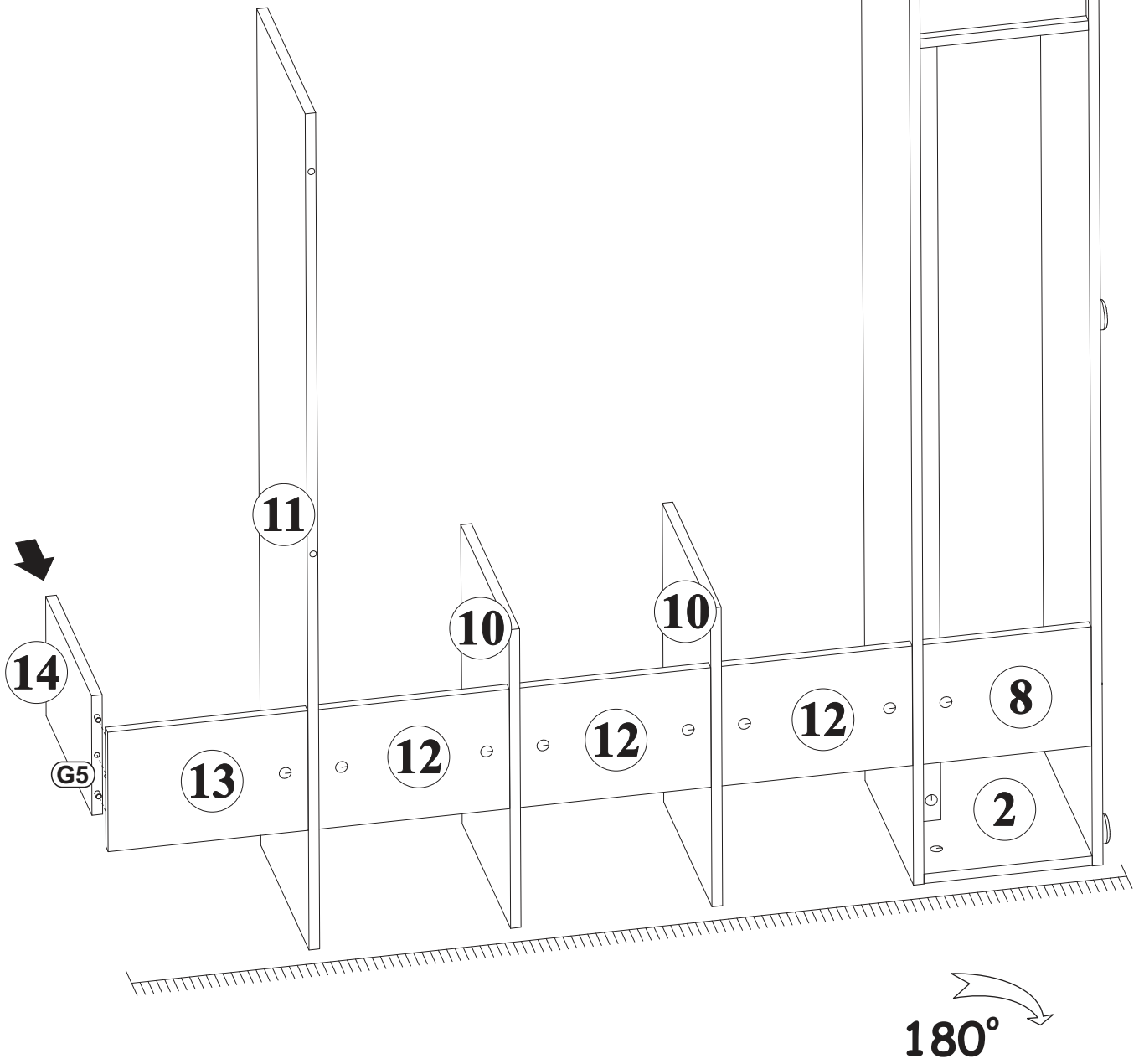
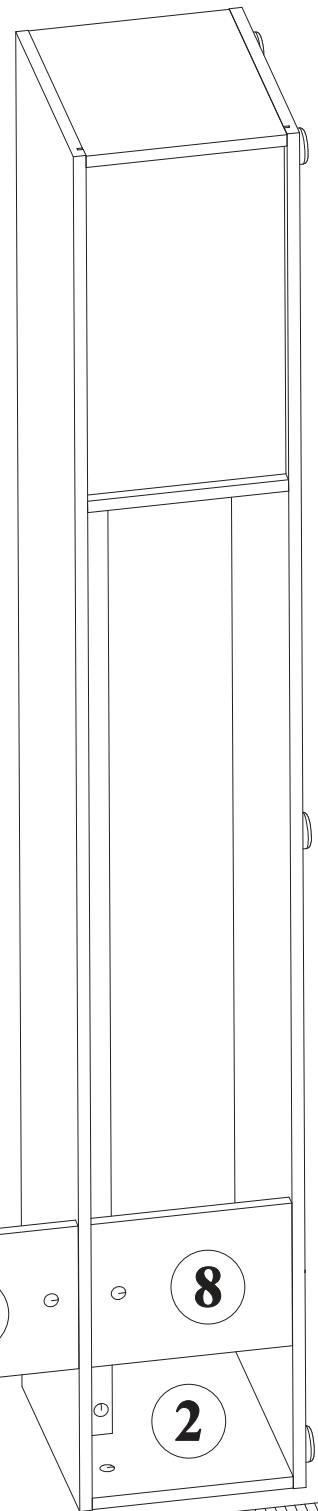
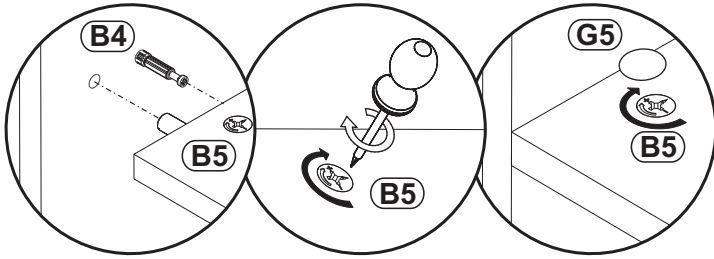
G5	
x2	

B6	
x1	Ø7x76




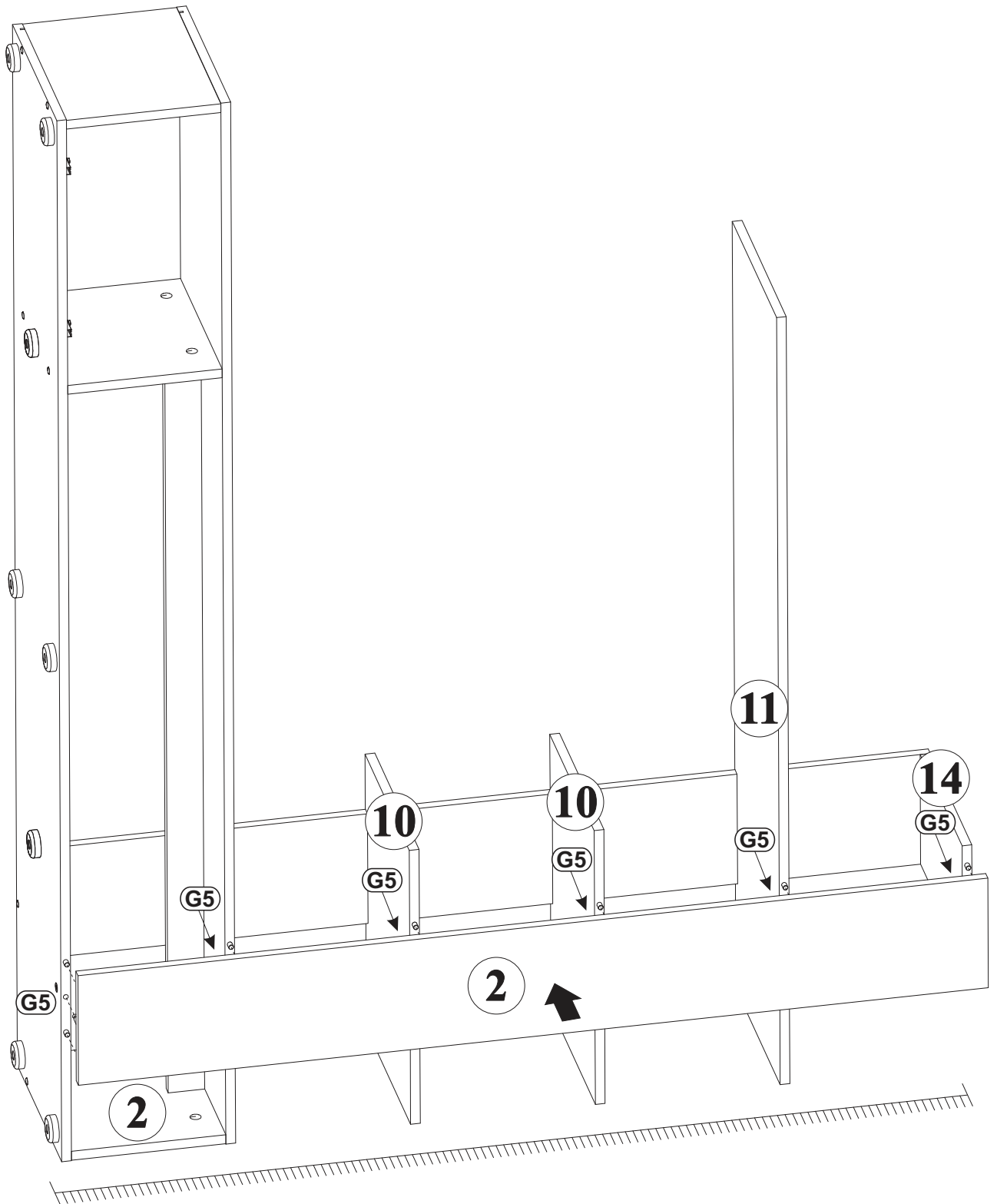
19

G5	
x1	




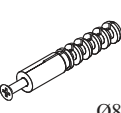
20

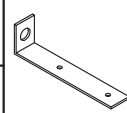
G5	
x6	




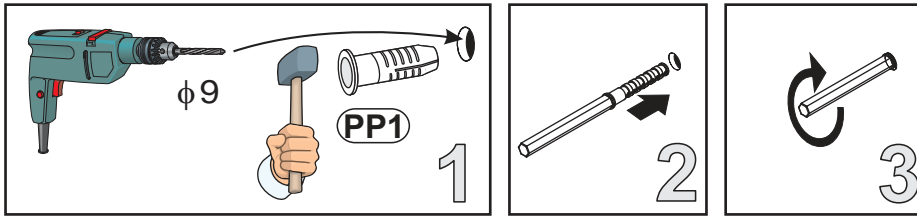
21

D10	
x4	USØ3,5x13

KR1	
x2	Ø8

L1	
x2	

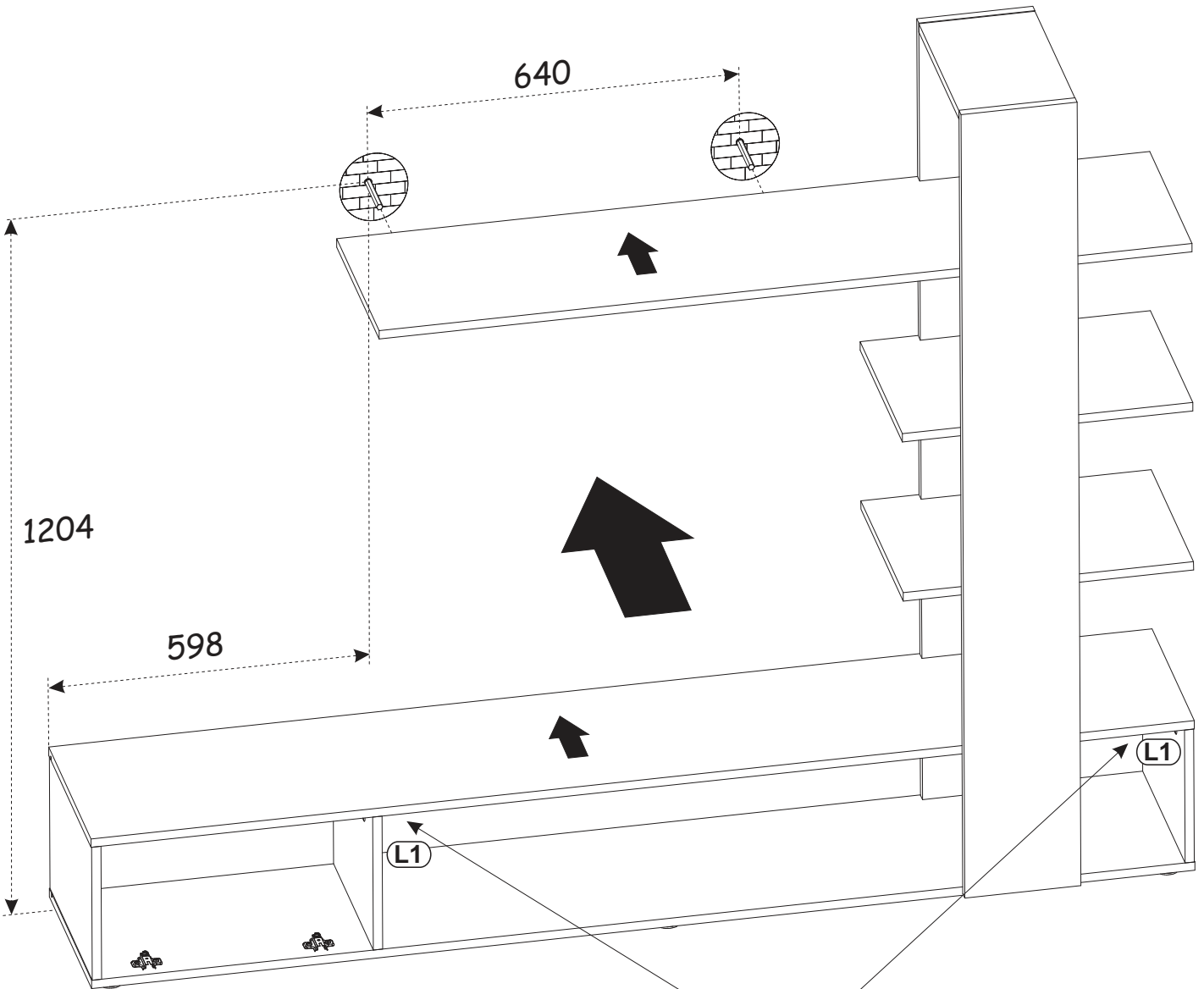
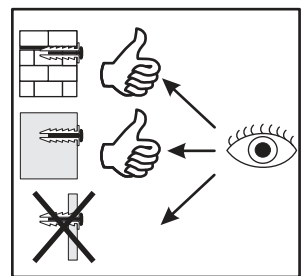
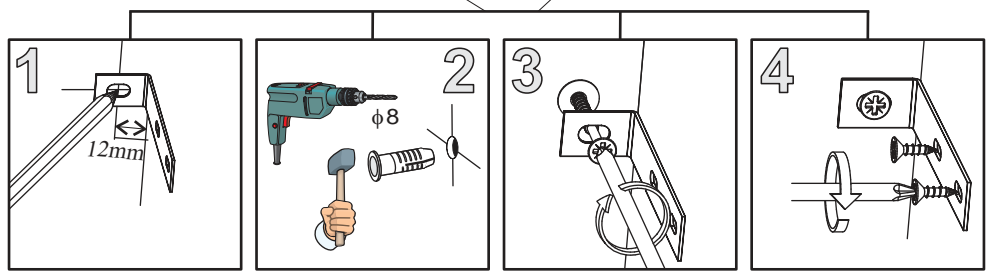
PP1	
x2	



1

2

3

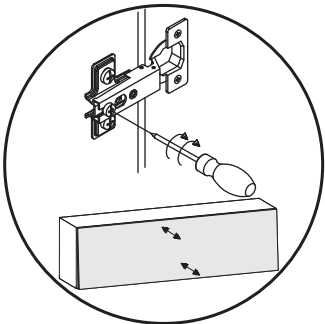
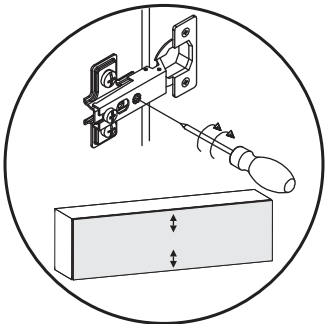
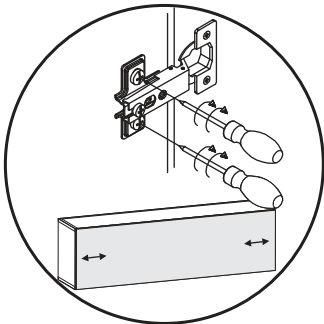
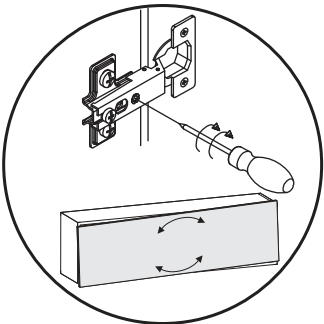
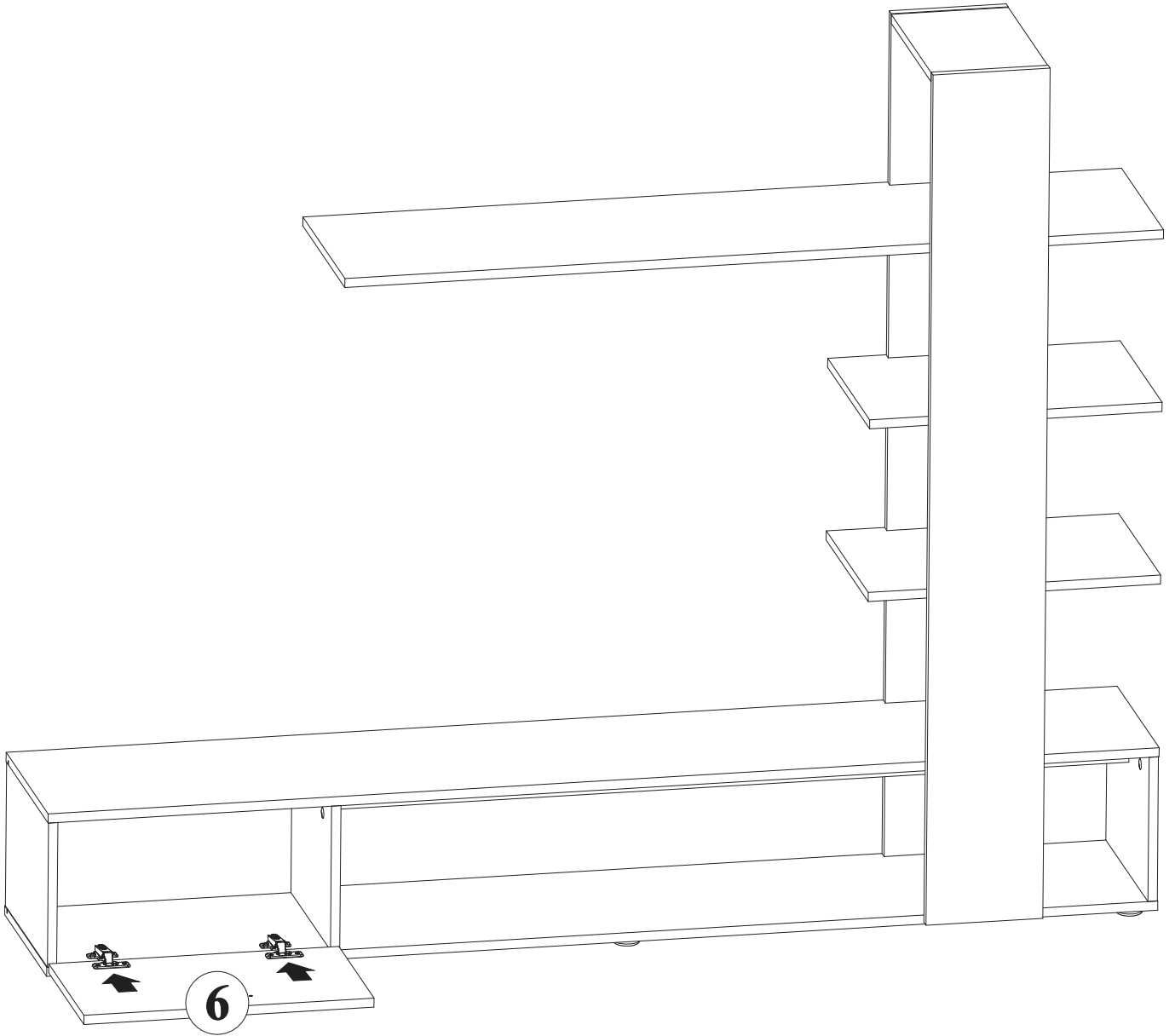




1



2

3

4



23

UP6		KL	
x2	UPØ4x30	x1	L-128mm.

